

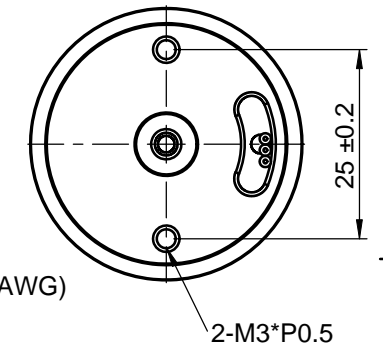
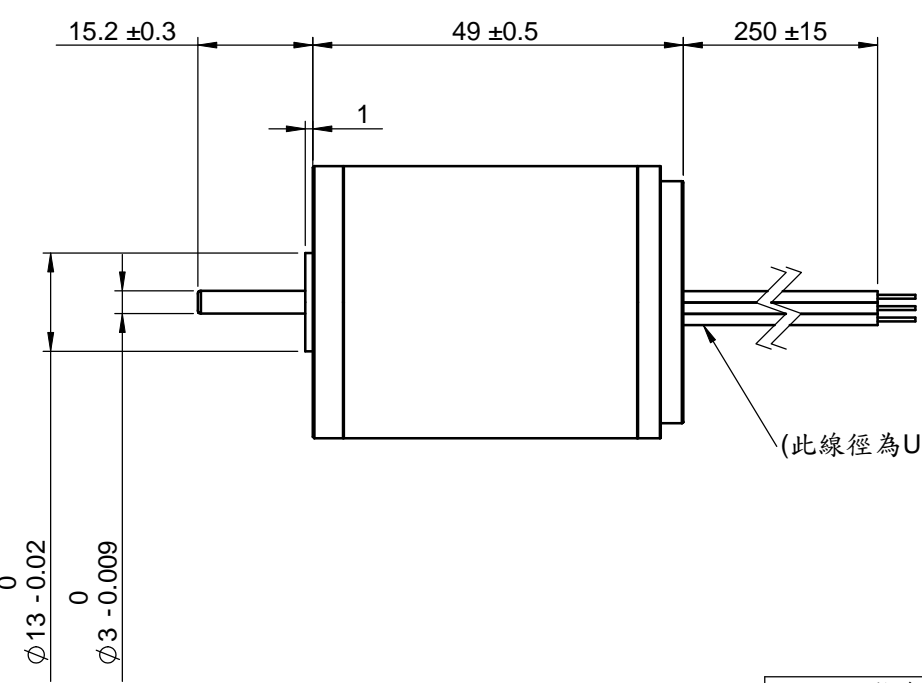
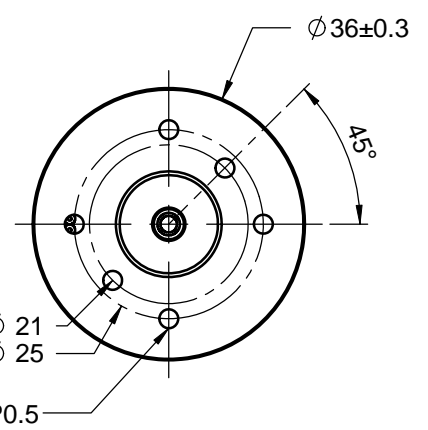
1 2 3 4 5 6

A A

B B

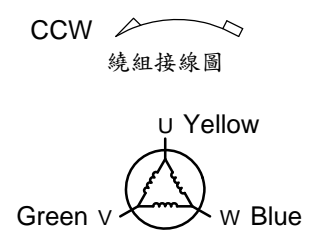
C C

D D



Motor 接線表

Line	Color	功能(說明)
1	Yellow	Motor U
2	Green	Motor V
3	Blue	Motor W



MODEL		NO LOAD		AT MAXIMUM EFFICIENCY				THIRD ANGLE PROJECTION		製圖		Cheshire Electric Company, LLC	
JB36-E0G1B254		SPEED	CURRENT	SPEED	CURRENT	TORQUE	OUTPUT	EFF	ALL DIMENSION ARE IN MM (UNLESS OTHERWISE SPECIFIED)		設計	Part No	
NOMINAL	24V DC	RPM	A	RPM	A	g-cm	W	%	繪製比例: 1:1		審核	Name	
		11000	0.38	9726	2.72	552.93	56.47	86.39	完成時間		材料	DC Brushless motor	
									2013/4/11			REV. NO.	A

1 2 3 4 5 6